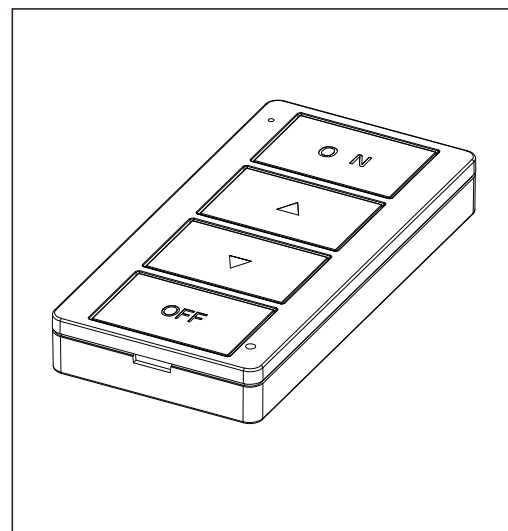


# NayaWave<sup>TM</sup> RC4

NayaWave<sup>TM</sup> RC4 is a bluetooth remote controller. Three models are offering to customers for different applications. It is good for small-medium size environment for controlling the lighting of dimming, On/Off, tunable and color mixing. One of model can be pre-set lighting four scenarios, and a variety of brightness and color temperature.

NayaWave<sup>TM</sup> RC4 is a battery-operated controller, using lithium CR2032 3V coin battery which is popular in the marketplace. Low power consumption can last longer (> 1 year).



## FEATURES

Handheld portable remote controller for controlling LED lighting. Control the lighting more simple.

Offers 3-models of NayaWave<sup>TM</sup> RC4 which can appropriate your application or your needs.

Battery-operated, CR2032 3V lithium coin battery

## APPLICATIONS

Office lighting

Amusement

Restaurant / Pub

Conference room

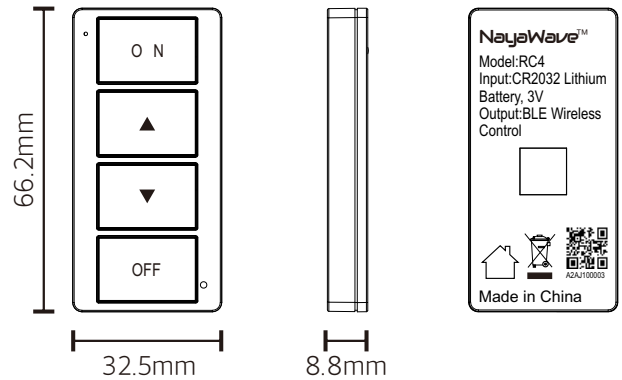
Hotel

## SPECIFICATION

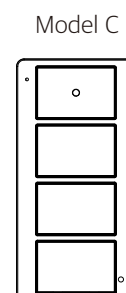
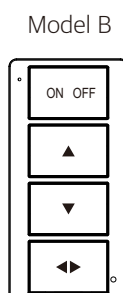
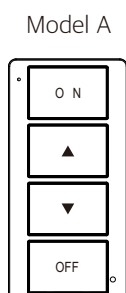
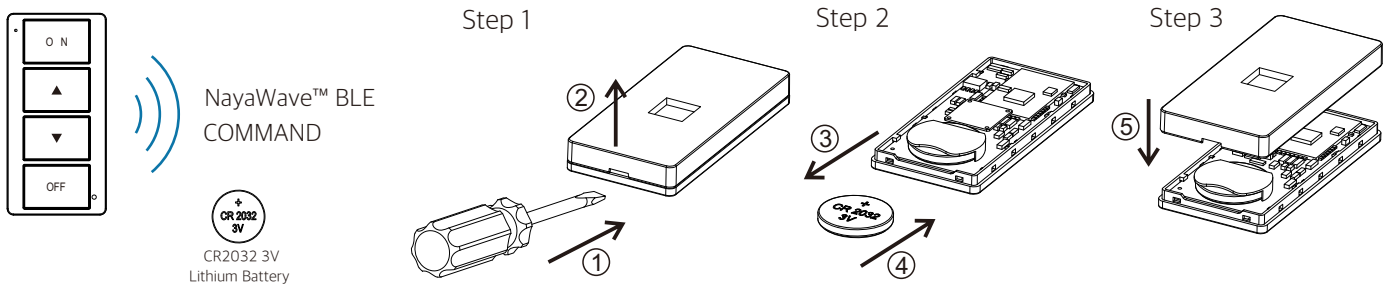
Summary	
Product Name	NayaWave™ RC4
Input Voltage	CR2032 3V lithium battery
Model 1	On/Off, dim
Model 2	On/Off, dim, color change
Model 3	4 pre-set scenarios
Max Bluetooth Range	10 - 60m
Standard	Bluetooth 4.x
Operating Temperature	-30°C - 70°C
Storage Temperature	-30°C - 70°C
Relative Humidity	80%
Mounting Method	3M adhesive / sticker

\*Bluetooth Range is dependent on the integration of fixtures, surrounding environment and conditions.

## PHYSICAL DIMENSIONS



## INSTALLATION AND MODELS



## ■ ORDERING CODE

Family	Technology	-	Source	Volatge	Version	-	Model	-	Reserved
NYW	XX	-	XX	XXXX	XX	-	XX	-	XXXX
	BL=BLE		AC=AC	PWM2=2CH PWM	EU=EURO		01=Model 1		0000
			DC=DC	VOLT=0-10V	US=AMERICA		02=Model 2		
			BA=BATTERY	SWIT=SWITCHES	GL=GLOBAL		05=Model 5		

## ■ PRODUCTS LIST

PRODUCTS	FUNCTION	DESCRIPTION
NYWBL-DCPWM1GL-01-0000	PWM	Single channel PWM output, supports On/Off and dim
NYWBL-DCPWM2GL-01-0000	PWM	2 Channels PWM output, supports tunable white ( CCT changing )
NYWBL-ACVOLTGL-01-0000	0-10V	0-10V output, can be connected up to 10 LED drivers for dimming.
NYWBL-DCPWM4GL-01-0000	PWM	4 Channels PWM output, supports RGBW color mixing
NYWBL-BASWITEU-01-0000	SWITCHES	Standard EU Wall switches, 4 buttons can be configured different functions
NYWBL-BARCONGL-01-0000	REMOTE	Handheld remote control, battery-operated, 4 buttons, 3-models
NYWBL-DCMODLGL-01-0000	MODULE	BLUETOOTH 4.X Module for NayaWave™ system

## ■ DISCLAIMER

Subject to change without notice. Errors and omission excepted. Always make sure to use the most recent release.