

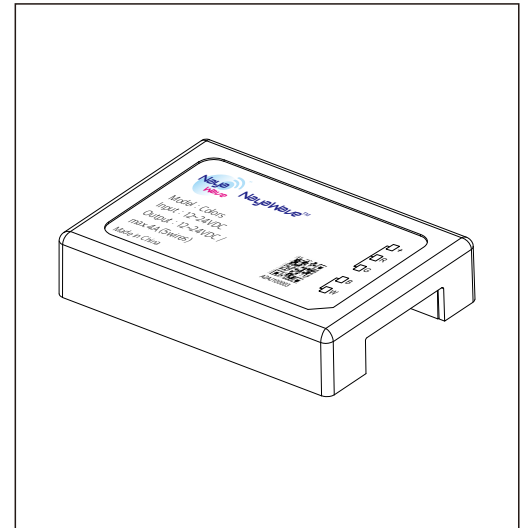
NayaWave™ Colors

NayaWave™ Colors is wireless controllable with IOS device. No need for an external gateway. Small form factor for luminaire and simple installation. Four channels output connects to RED/GREEN /BLUE/WHITE modules for color mixing effects, Dimming and On/Off control. Just few steps to upgrade into smart lighting system.

Maximum output up to 4A in a single channel or 1A in 4-channels. Max. power output up to 96Watts*.

*Max. output power is depended on connected power supply max. output.

NayaWave™ Colors can direct connect standard 24VDC LED Flex (single / 4-channels RGBW) or Linear fixtures



FEATURES

Bluetooth proprietary solution for controlling LED lighting. User friendly interface in IOS mobile device.

4 PWM outputs connect with LED light engine or fixtures for dim and on/off functions

Supports RGBW colors (Color mixing)

APPLICATIONS

Cove Lighting

Amusement

Restaurant

Cluehouse

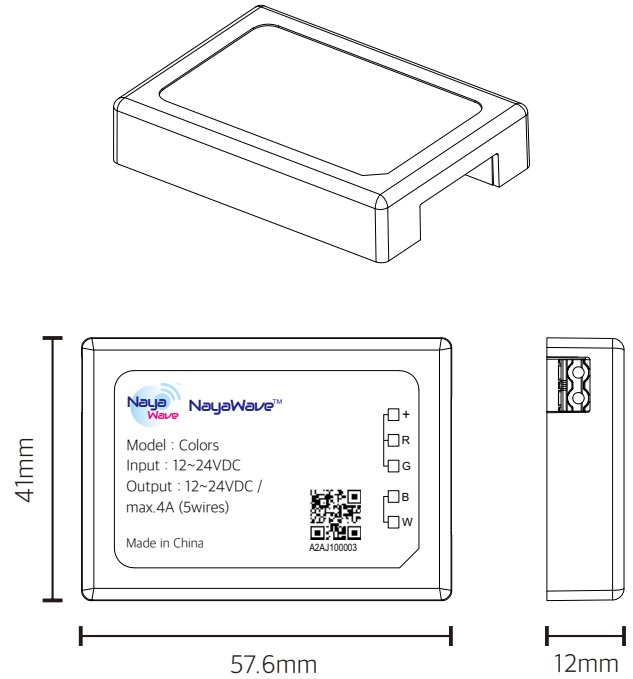
Beauty center / Spa

SPECIFICATION

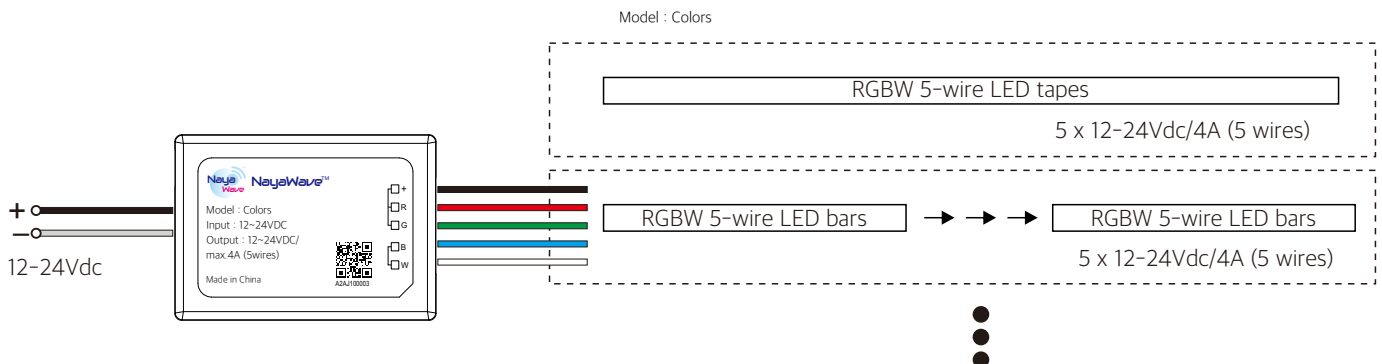
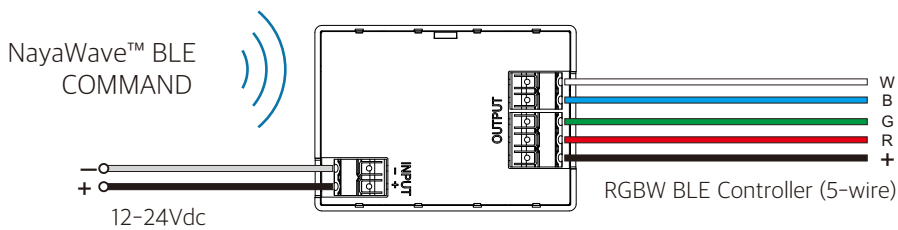
Summary	
Product Name	NayaWave™ Colors
Input Voltage	12 - 24VDC
Output Voltage	Input Voltage - 2VDC
Output Current	4A max. (Combined)
PWM Channel (s)	4 PWM
Max Bluetooth Range	10 - 60m
Standard	Bluetooth 4.x
Operating Temperature	-30°C - 70°C
Storage Temperature	-30°C - 70°C
Relative Humidity	80%
Mounting Method	3M adhesive / sticker

*Bluetooth Range is dependent on the integration of fixtures, surrounding environment and conditions.

PHYSICAL DIMENSIONS



CONNECTION DIAGRAM



■ ORDERING CODE

Family	Technology	-	Source	Volatge	Version	-	Model	-	Reserved
NYW	XX	-	XX	XXXX	XX	-	XX	-	XXXX
	BL=BLE		AC=AC	PWM2=2CH PWM	EU=EURO		01=Model 1		0000
			DC=DC	VOLT=0-10V	US=AMERICA		02=Model 2		
			BA=BATTERY	SWIT=SWITCHES	GL=GLOBAL		05=Model 5		

■ PRODUCTS LIST

PRODUCTS	FUNCTION	DESCRIPTION
NYWBL-DCPWM1GL-01-0000	PWM	Single channels PWM output, supports On/Off and Dim
NYWBL-DCPWM2GL-01-0000	PWM	2 Channels PWM output, supports tunable white (CCT changing)
NYWBL-ACVOLTGL-01-0000	0-10V	0-10V dimming output, can be connected up to 10 LED drivers for dimming.
NYWBL-DCPWM4GL-01-0000	PWM	4 Channels PWM output, supports RGBW color mixing
NYWBL-BASWITEU-01-0000	SWITCHES	Standard EU Wall switches, 4 buttons can be configured different functions
NYWBL-BARCONGL-01-0000	REMOTE	Handheld remote control, battery operated, 4 buttons can be configured
NYWBL-DCMODLGL-01-0000	MODULE	BLUETOOTH 4.X Module for NayaWave™ system

■ DISCLAIMER

Subject to change without notice. Errors and omission excepted. Always make sure to use the most recent release.