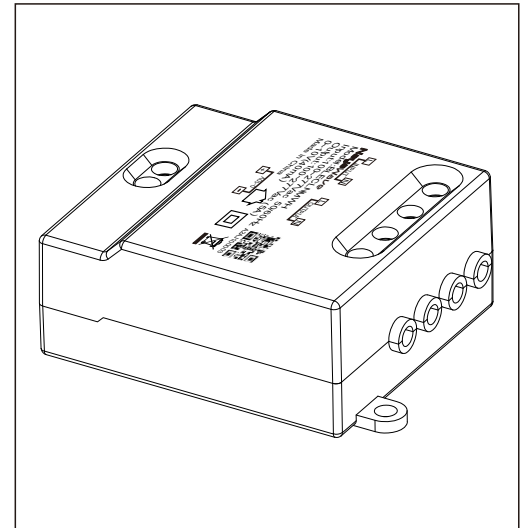


## NayaWave<sup>TM</sup> AN10

NayaWave<sup>TM</sup> AN10 is wireless controllable with IOS device. No need for an external gateway. Small form factor for luminaire and simple installation. NayaWave<sup>TM</sup> AN10 is an analog lighting control protocol. Basically, a 0-10V control applies a voltage between 0 and 10 volts DC to produce a varying intensity level. Compatible with 0-10V dimmable LED driver which is popular in the market. 25mA current source output can be connected up to 10 LED drivers. Just few steps to upgrade into smart lighting system.



### FEATURES

Bluetooth proprietary solution for controlling LED lighting.  
User friendly interface in IOS mobile device.

0-10V analogue dimming protocol  
Compatible with 0/1-10V LED driver for LED light control.

Up to 10 LED driver can be connected for synchronous control.

### APPLICATIONS

Office lighting

Amusement

Restaurant / Pub

Conference room

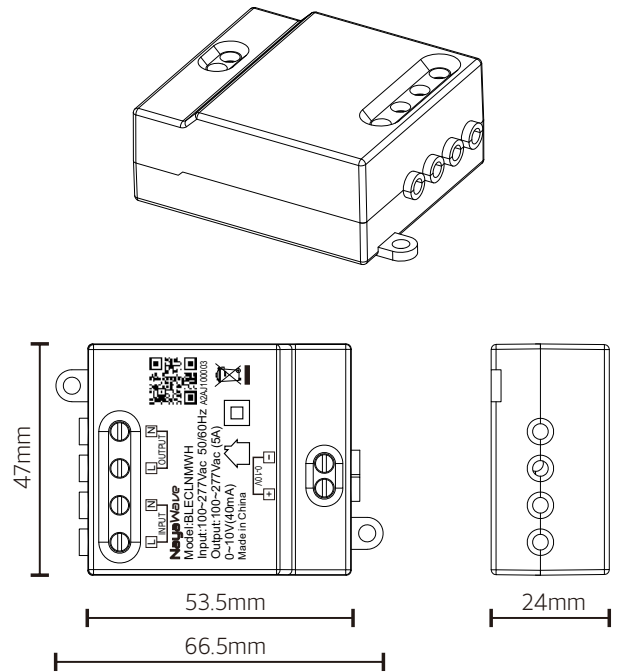
Hotel

**SPECIFICATION**

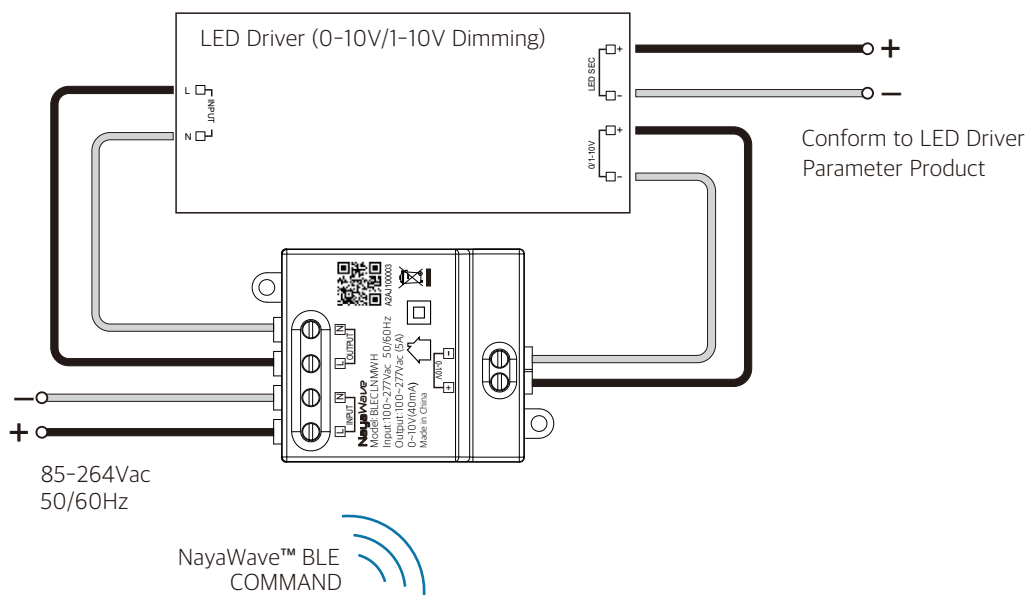
Summary	
Product Name	NayaWave™ AN10
Input Voltage	85 - 264VAC
Output Voltage	85 -264VAC 0.6A
Dimming method	0-10V analogue protocol
Dimming output	0-10VDC 25mA ( Source )
Max Bluetooth Range	10 - 60m
Standard	Bluetooth 4.x
Operating Temperature	-30°C - 70°C
Storage Temperature	-30°C - 70°C
Relative Humidity	80%
Mounting Method	3M adhesive / sticker

\*Bluetooth Range is dependent on the integration of fixtures, surrounding environment and conditions.

**PHYSICAL DIMENSIONS**



**CONNECTION DIAGRAM**



## ■ ORDERING CODE

Family	Technology	-	Source	Volatge	Version	-	Model	-	Reserved
NYW	XX	-	XX	XXXX	XX	-	XX	-	XXXX
	BL=BLE		AC=AC	PWM2=2CH PWM	EU=EURO		01=Model 1		0000
			DC=DC	VOLT=0-10V	US=AMERICA		02=Model 2		
			BA=BATTERY	SWIT=SWITCHES	GL=GLOBAL		05=Model 5		

## ■ PRODUCTS LIST

PRODUCTS	FUNCTION	DESCRIPTION
NYWBL-DCPWM1GL-01-0000	PWM	Single channel PWM output, supports On/Off and dim
NYWBL-DCPWM2GL-01-0000	PWM	2 Channels PWM output, supports tunable white ( CCT changing )
<b>NYWBL-ACVOLTGL-01-0000</b>	<b>0-10V</b>	<b>0-10V output, can be connected up to 10 LED drivers for dimming.</b>
NYWBL-DCPWM4GL-01-0000	PWM	4 Channels PWM output, supports RGBW color mixing
NYWBL-BASWITEU-01-0000	SWITCHES	Standard EU Wall switches, 4 buttons can be configured different functions
NYWBL-BARCONGL-01-0000	REMOTE	Handheld remote control, battery operated, 4 buttons can be configured
NYWBL-DCMODLGL-01-0000	MODULE	BLUETOOTH 4.X Module for NayaWave™ system

## ■ DISCLAIMER

Subject to change without notice. Errors and omission excepted. Always make sure to use the most recent release.